

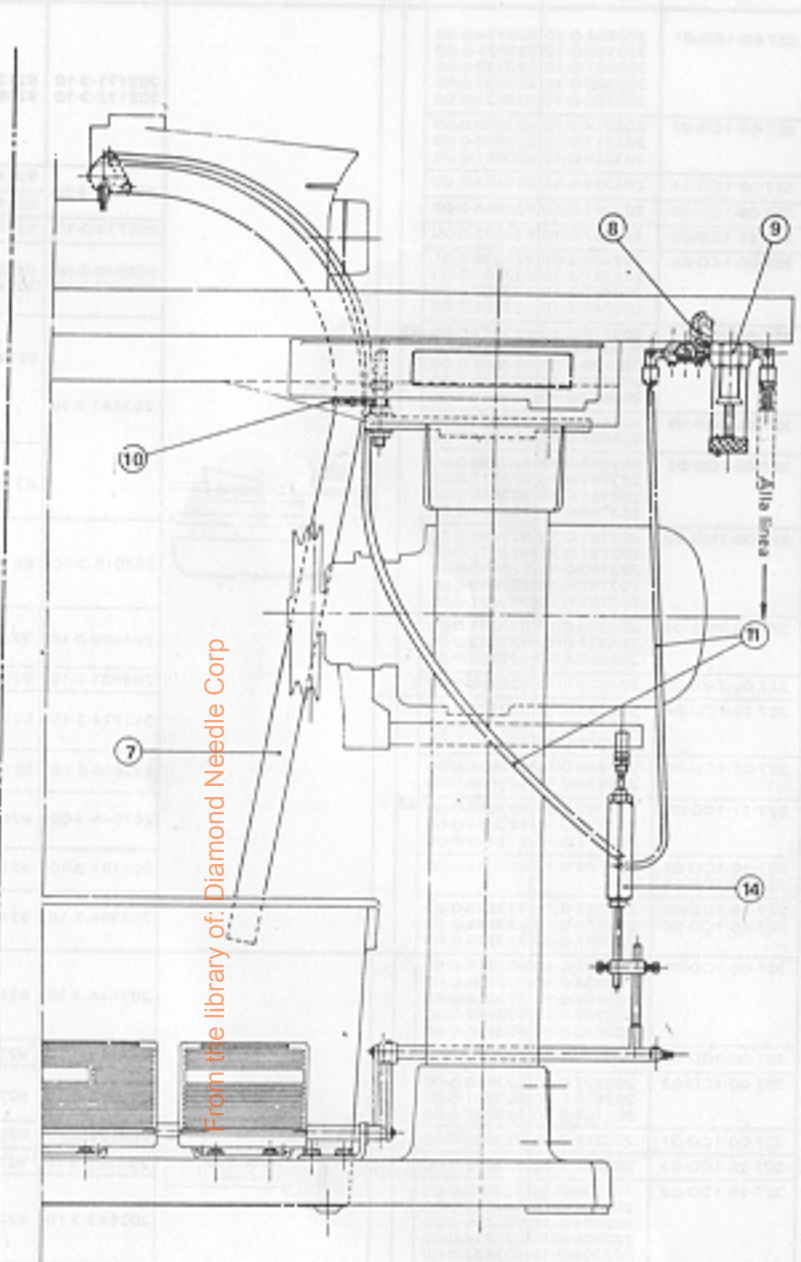
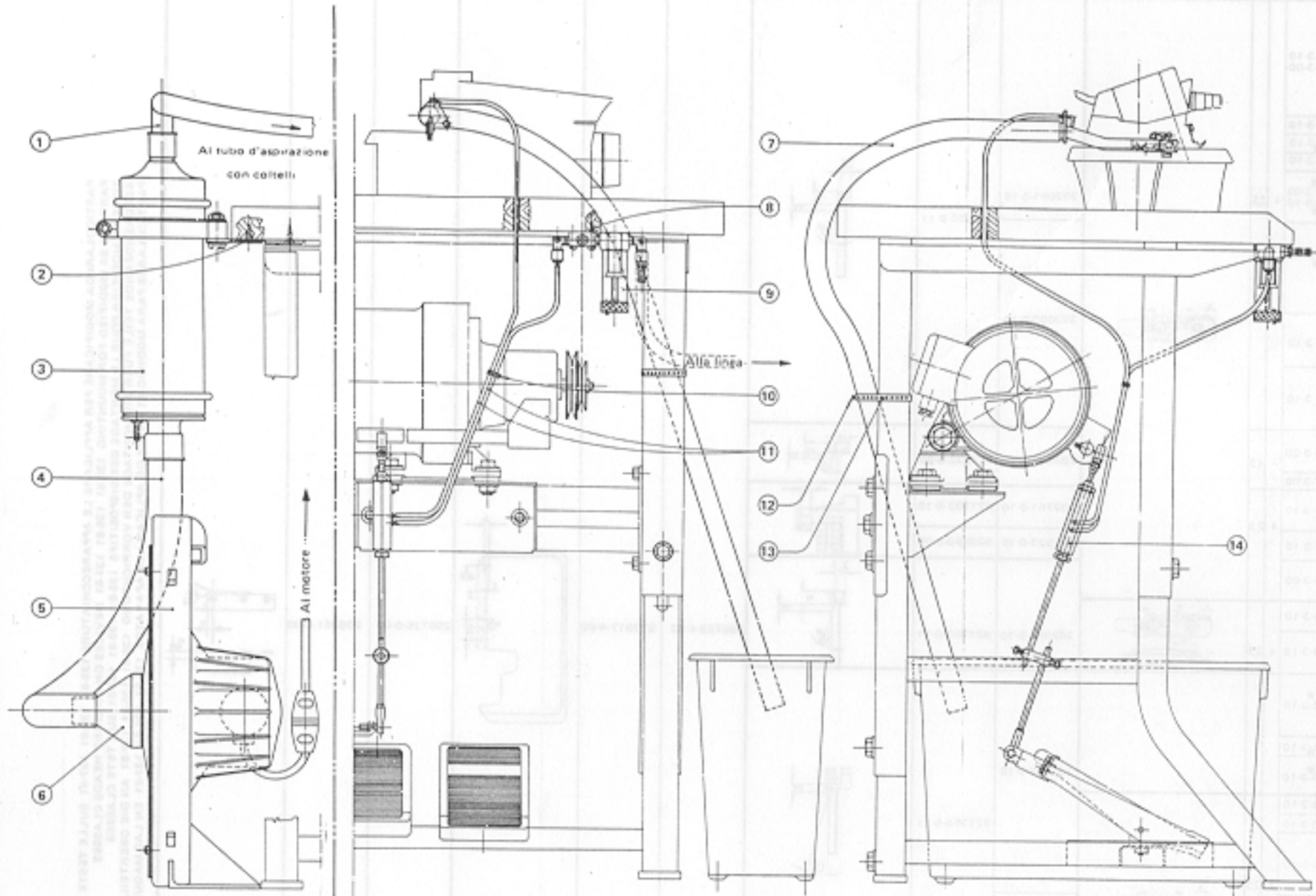
Tubo aspirazione catenella con coltelli - app. 135-81; 137-81
Chain suction pipe with knives - 135-81; 137-81 attachments

TAV. 1

Rif. Ref. N.	DISEGNO N. PART N.	Qt.	DESCRIZIONE DESCRIPTION	Rif. Ref. N.	DISEGNO N. PART N.	Qt.	DESCRIZIONE DESCRIPTION
★	923933-4-01	1	gruppo tubo aspirazione con coltelli suction pipe assembly with knives	10	741974-2-00	1	vite fissaggio tubo aspirazione suction pipe fixing screw
1	923806-0-00	1	tubo scarico catenella (135-81) chain exhaust pipe	11	923758-0-00	1	vite screw
	921293-0-10	1	tubo colleg. aspirazione-filtro (137-81) suction-filter connecting pipe	12	923918-0-01	1	molla spring
2	923934-2-01	1	tubo di aspirazione suction pipe	13	926754-2-01	1	coltello mobile movable knife
3	744530-0-00	2	vite fissaggio coltello knife fixing screw	14	926753-2-01	1	coltello fisso fixed knife
4	923936-0-00	1	molla di limitazione taglio spring	15	923919-0-01	1	perno pin
5	721410-0-00	1	vite fissaggio molla spring screw	16	926755-4-01	1	gruppo coltelli knives assembly
6	746021-2-00	1	dado fissaggio tubo aspirazione suction pipe fixing nut	17	741931-0-00	1	vite fissaggio azionatore actuator fixing screw
7	704310-2-00	1	rondella washer	18	923940-0-00	1	azionatore a bottone di manovella crankpin actuator
8	923942-0-00	1	perno filettato pin	19	745001-0-00	1	vite screw
9	923943-0-00	1	dado autobloccante nut		920258-0-10	1	cinturino fissaggio tubetti pipe fixing strap

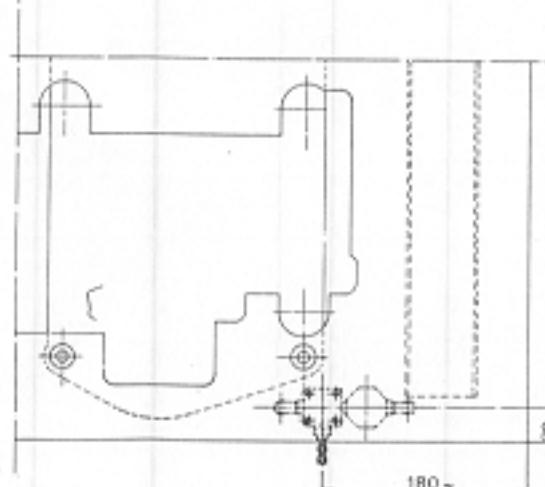
Installazione app. 135-81 e 136-81 su bancali tubolare e regolabile
 Layout for mounting the 135-81 and 136-81 att. on tubular and adjustable stands.

Installazione app. 135-81 e 136-81 su bancale a colonna
 Layout for mounting the 135-81 and 136-81 on column stand.

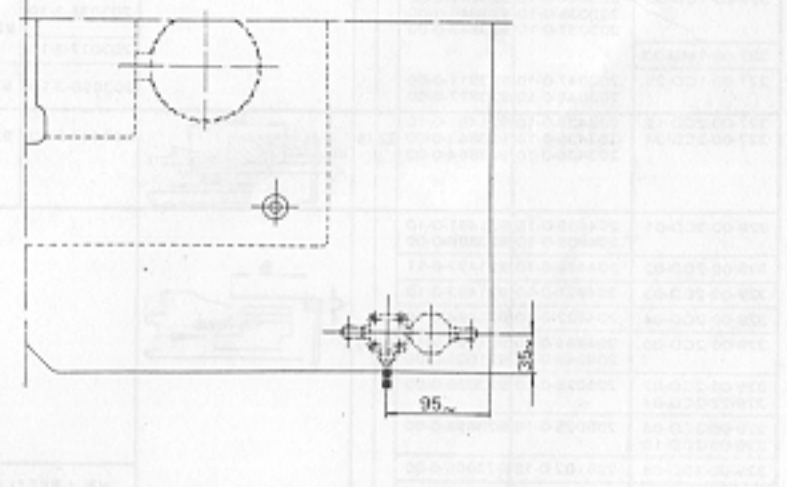


Installazione gruppo elettroaspiratore-filtro app. 137-81 su bancali tubolare, regolabile ed a colonna.

Layout for mounting the electroaspirator-filter group of the 137-81 attach. on tubular, adjustable and column stands.



1) Tubo collegamento aspirazione-filtro	Suction-filter connecting pipe
2) Viti fissaggio filtro	Filter fixing screws
3) Filtro completo	Filter assembly
4) Tubo collegamento filtro-elettroaspiratore	Filter-electroaspirator connecting pipe
5) Elettroaspiratore	Electroaspirator
6) Bocchettone	Union pipe
7) Tubo scarica catenella	Chain exhaust pipe
8) Vite fissaggio dosatore	Dosimeter fixing screw
9) Dosimetro	Dosimeter
10) Cinturino fissaggio tubetto (simb. 920258-0-10)	Pipe fixing strap (symb. 920258-0-10)
11) Tubetti	Pipes
12) Bottoncino per cinturino	Strap button
13) Cinturino fissaggio tubo	Strap
14) Valvola con tirante	Valve with tie-rod



From the library of: Diamond Needle Corp

Part Number	Part Name	Part Number	Part Name	Part Number	Part Name	Part Number	Part Name	Part Number	Part Name	Part Number	Part Name	Part Number	Part Name	Part Number	Part Name	Part Number	Part Name	Part Number	Part Name	
327-00-1CD-01	202504-0-10 202148-0-10 202507-0-10 202508-0-10 202590-0-10	923774-0-00 923831-0-00 923832-0-00 923833-0-00 923834-0-00		202171-3-10 202172-3-10	921352-3-10 923901-3-00															
327-00-1CD-07	203214-0-10 203217-0-10 203220-0-10	923850-0-00 923850-0-00 923851-0-00																		
327-28-1CD-11	203398-0-10	923853-0-00		203366-3-10	921437-3-10 921438-3-10															
327-00-1CD-10	203399-0-10	923854-0-00		202774-3-10	921395-3-10															
327-28-1CD-02	202507-0-10	923832-0-00		205940-3-00 203362-3-10	923910-3-00 921438-3-10	4 2.5			202051-0-10	921350-0-11										
327-00-1CD-09	203409-4-00 203347-2-10 203407-2-10 203349-2-10	921326-4-01 923856-2-00 923860-2-00 923858-2-00		203447-3-10	921453-3-10															
327-00-2CD-13	203478-0-10 203475-0-10 203439-6-10 203477-2-10 203482-2-10	923867-0-00 923866-0-00 923865-0-00 923869-2-00 923871-2-00																		
327-00-2CD-38	203442-0-10 205661-0-00	923903-0-00 923904-0-00																		
327-00-1CD-06	203785-0-10 203797-0-10 203761-0-10 203788-0-10	923890-0-00 923777-0-00 923888-0-00 923891-0-00			921455-3-10															
327-00-1MD-23	202761-0-10 203787-0-10 203785-0-10 203762-0-10 203788-0-10	923888-0-00 923777-0-00 923890-0-00 923889-0-00 923891-0-00		202015-3-10	921422-3-10															
327-00-2MD-36	204006-0-10 204007-0-10 205650-0-10	923881-0-00 923882-0-00 923883-0-00		204009-0-10	923885-3-00	4.5														
327-00-2MD-20	204026-0-10	923886-0-00		204037-3-10	923887-3-00															
327-28-1CU-04	202764-0-10 202763-0-10 202936-0-10	923776-0-00 923892-0-00 923895-0-00		202774-3-10	921393-3-10	4 2.5														
327-28-1CU-06	202935-0-10 202936-0-10	923894-0-00 923895-0-00		202938-3-10	921395-3-10															
327-11-1CD-02	202783-0-10 202876-0-10 202877-0-10	923843-0-00 923844-0-00 923845-0-00		207046-3-00	926900-3-00															
327-10-1CD-03	202784-0-10	923846-0-00		202787-3-10	921404-3-10															
327-10-1CD-04	202784-0-10	923846-0-00		202786-3-10	921403-3-10	4 2.5														
327-10-1CD-02	202763-0-10	923843-0-00																		
327-10-1CD-06	202876-0-10 202877-0-10	923844-0-00 923845-0-00																		
327-00-1CD-05	202707-0-10 202634-0-10 202635-0-10 202709-0-10 202636-0-10	923775-0-00 923835-0-00 923836-0-00 923837-0-00 923838-0-00		202644-3-10	921382-3-10															
327-00-1CD-02				202642-3-10	921381-3-10															
327-00-1CD-03	202637-0-10 202638-0-10 202738-0-10	923840-0-00 923841-0-00 923842-0-00		202646-3-10	921383-3-10															
327-00-1CD-31	203219-0-10	923852-0-00		203162-3-10	921426-3-10															
327-28-1CD-07	203354-2-10	923862-2-00		203361-3-10	921440-3-10															
327-28-1CD-09	202636-0-10 202707-0-10 202634-0-10 202635-0-10 202709-0-10	923838-0-00 923775-0-00 923835-0-00 923836-0-00 923837-0-00		202643-3-10	923839-3-00															
327-00-1CD-30	203014-0-10 203030-0-10 203057-0-10	923847-0-00 923848-0-00 923849-0-00		203038-3-10 203017-3-10	921423-3-10															
327-00-1MD-33				203050-3-10	921417-3-10															
327-00-1CD-25	203047-0-10 203048-0-10	923911-0-00 923927-0-00																		
327-00-2CD-12	203437-0-10	921451-0-10		203447-3-10	921453-3-10															
327-00-2CD-34	203438-0-10 203436-0-10	923863-0-00 923864-0-00																		
329-00-2CD-01	204695-0-10 204809-0-10	921491-0-10 923896-0-00																		
329-00-2CD-02	204698-0-10	921492-0-11																		
329-00-2CD-03	204821-0-10	921493-0-13																		
329-00-2CD-04	204822-0-10	921494-0-13																		
329-00-2CD-05	204864-0-10 204946-0-10	921495-0-10 921506-0-00																		
329-00-2CD-07	205025-3-10	923895-0-00																		
329-22-2CD-04																				
329-00-2CD-06	205025-0-10	923898-0-00																		
329-00-2CD-10																				
329-00-2CD-08	205102-0-10	923909-0-00																		
329-00-3CU-01	206042-0-00	923908-0-00																		
330-00-1CD-01	203153-0-10	921512-0-10																		

NB. I PEZZI CONTRASSEGNA TI CON ● DOVRANNO ESSERE ORDINATI.
 - PARTS MARKED WITH ● MUST BE REQUESTED.
 - LES PIÉCES MARQUÉES PAR ● DEVRONT ÊTRE COMMANDÉES.
 - DIE MIT ● BEZEICHNETEN TEILE MÜSSEN BESTELLT WERDEN.
 - LAS PIEZAS CONTRASEÑADA CON ● TENDRAN QUE SER PEDIDAS.

PARTE DA ASPORTARE
 PART TO BE REMOVED
 PARTIE A ENLEVER
 WEGZUNEHMENDER TEIL
 PARTE PARA QUITAR

N.B.
 Per queste macchine richiedete il giffinio 921350-0-11
 For these machines demand the grille N. 921350-0-11
 Für diese Maschinen ist der Transporteur N. 921350-0-11 zu bestellen
 Por lo que concierne estas máquinas pedir el giffinio N. 921350-0-11

From the library of Diamond Needle Corp

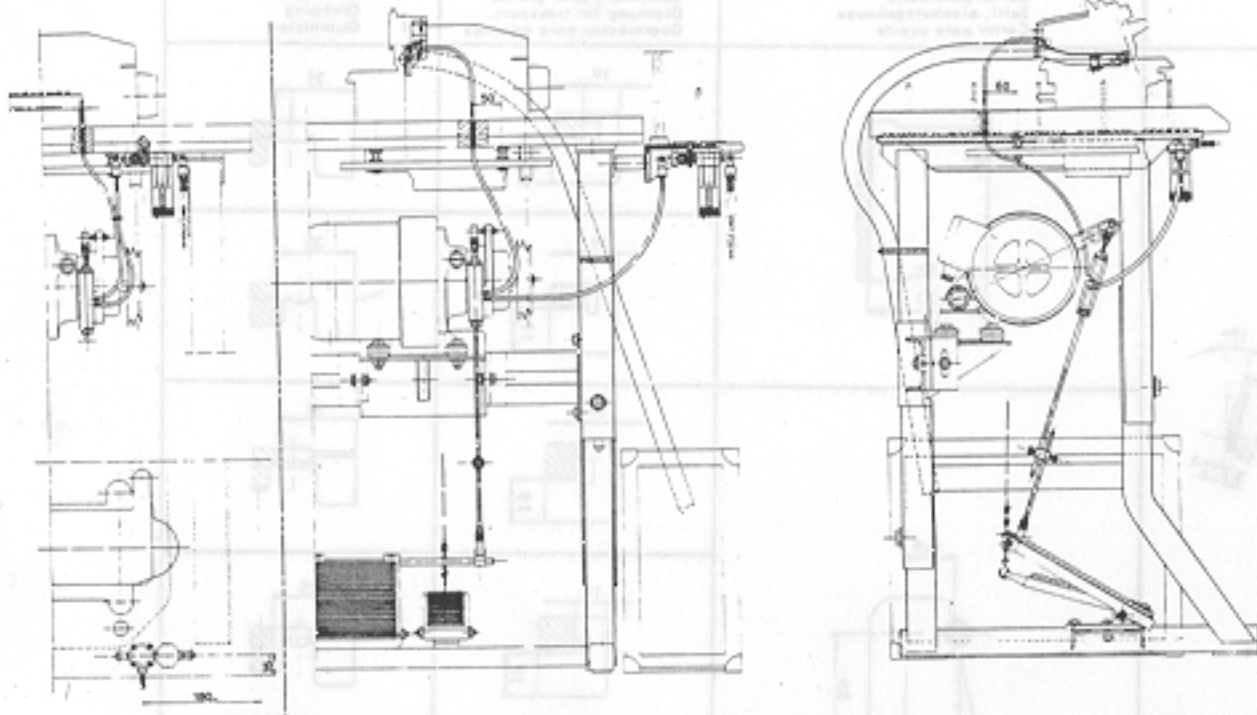
PARTICOLARI DA MODIFICARE PER APPLICARE LE APPARECCHIATURE 136-81 136-81 137-81 137-81 SULLE TESTE CL.
 PARTS TO BE MODIFIED FOR MOUNTING 136-81 136-81 137-81 137-81 DEVICES ON MACHINE HEADS CLASSES
 PIÉCES A MODIFIER POUR LE MONTAGE DES DISPOSITIFS 136-81 136-81 137-81 137-81 SUR TÊTE CLASSES
 ASZUAENDERNDE TEILE FÜR DIE MONTAGE DER VORRICHTUNGEN 136-81 136-81 137-81 137-81 AN DER OBERTEILE KL.
 PARTICULARES PARA MODIFICAR ANTES DE APLICAR LOS APARATOS 136-81 136-81 137-81 137-81 EN LAS MAQUINAS CL.

327 - 329 - 330

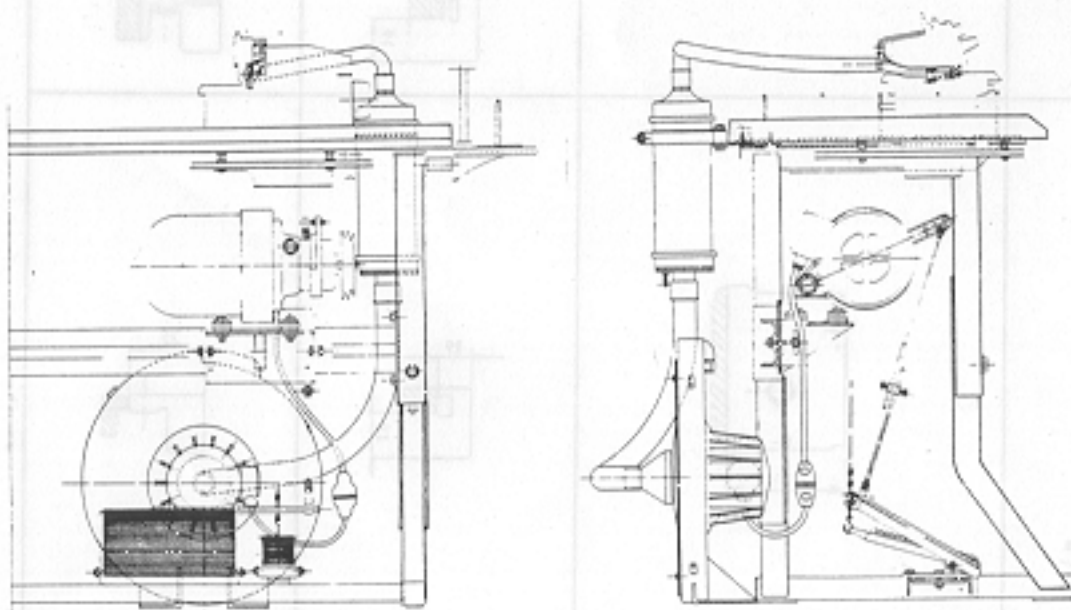
SCHEMA PIAZZAMENTO APPARECCHIATURE 135-80 e 136-80 SU BANCALE
LAYOUT FOR MOUNTING THE 135-80 AND 136-80 DEVICES ON STAND

PIAZZAMENTO CON FILTRO APPLICATO SOTTO LA TAVOLA
MOUNTING WITH FILTER INSTALLED UNDER THE TABLE

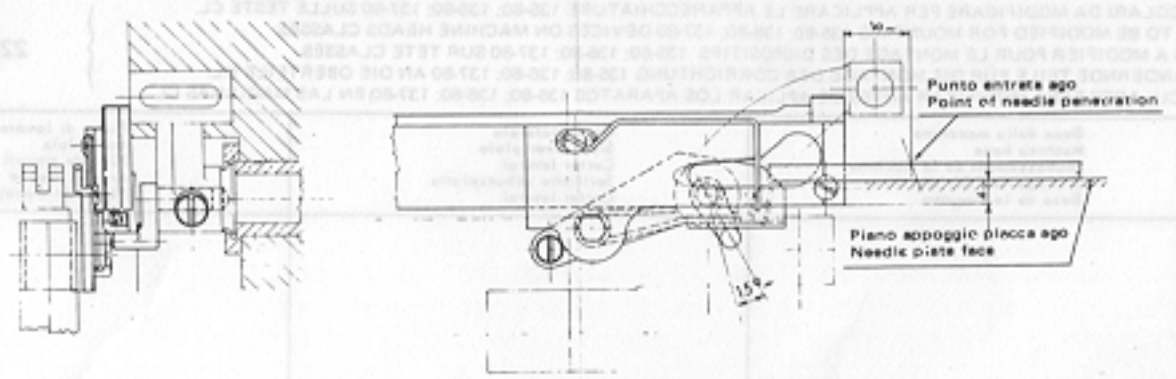
PIAZZAMENTO CON FILTRO APPLICATO SOTTO IL PORTA BOBINE LATERALE
MOUNTING WITH FILTER INSTALLED UNDER THE SIDE BOBIN HOLDER



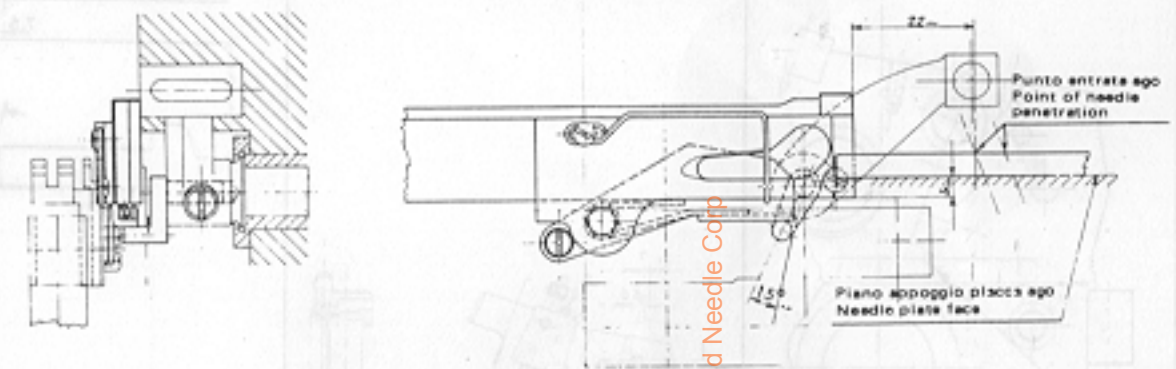
SCHEMA PIAZZAMENTO APPARECCHIATURA 137-80 SU BANCALE
LAYOUT FOR MOUNTING THE 137-80 DEVICE ON STAND



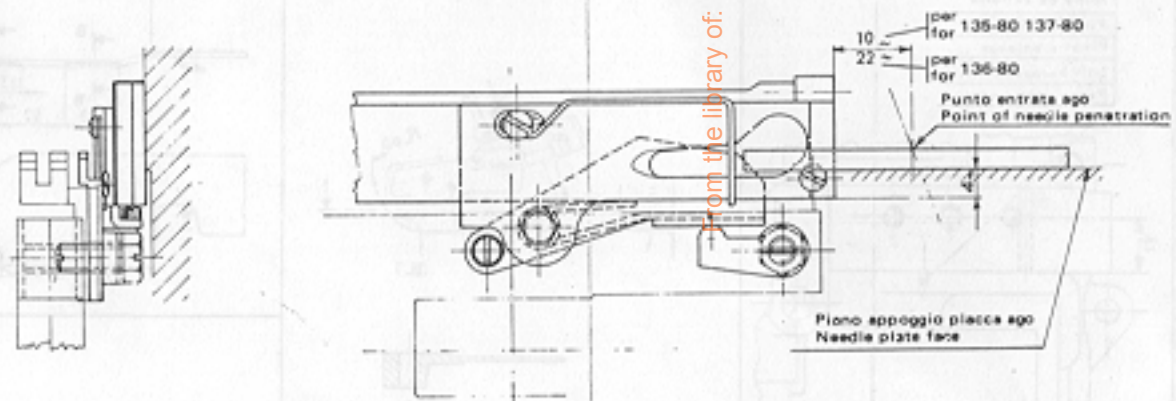
SCHEMA DI MONTAGGIO APPARECCHIATURE 135-80 e 137-80 CON AZIONATORE A BOTTONE DI MANOVELLA
LAYOUT FOR MOUNTING THE 135-80; 137-80 DEVICES WITH STARTER AND CRANK PIN



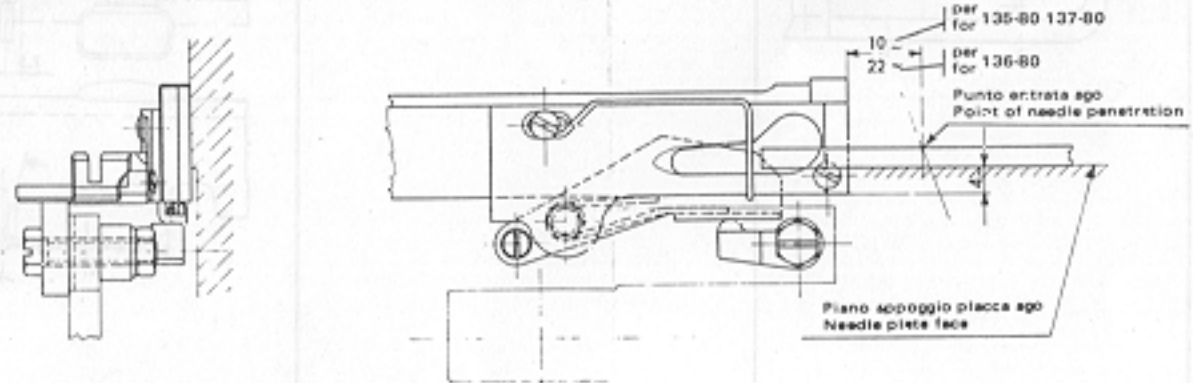
SCHEMA DI MONTAGGIO APPARECCHIATURA 136-80 CON AZIONATORE A BOTTONE DI MANOVELLA
LAYOUT FOR MOUNTING THE 136-80 DEVICE WITH STARTER AND CRANK PIN



SCHEMA DI MONTAGGIO APPAR. 135-80; 136-80; 137-80 CON AZIONATORE A LEVA PER MACCHINE CON TRASPORTO DIFFERENZIALE
LAYOUT FOR MOUNTING THE 135-80; 136-80; 137-80 DEVICES WITH LEVER STARTER FOR HEAD WITH DIFFERENTIAL FEED

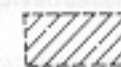


SCHEMA DI MONTAGGIO APPAR. 135-80; 136-80; 137-80 CON AZIONATORE A LEVA PER MACCHINE SENZA TRASPORTO DIFFERENZIALE
LAYOUT FOR MOUNTING THE 135-80; 136-80; 137-80 DEVICES WITH LEVER STARTER FOR HEADS WITHOUT DIFFERENTIAL FEED



PARTICOLARI DA MODIFICARE PER APPLICARE LE APPARECCHIATURE 135-80; 136-80; 137-80 SULLE TESTE CL.
 PARTS TO BE MODIFIED FOR MOUNTING 135-80; 136-80; 137-80 DEVICES ON MACHINE HEADS CLASSES
 PIÈCES A MODIFIER POUR LE MONTAGE DES DISPOSITIFS 135-80; 136-80; 137-80 SUR TÊTE CLASSES
 ABZUÄNDERNDE TEILE FÜR DIE MONTAGE DER CORRICHTUNG 135-80; 136-80; 137-80 AN DIE OBERTEILE KL.
 PARTICULARES PARA MODIFICAR ANTES DE APLICAR LOS APARATOS 135-80; 136-80; 137-80 EN LAS MÁQUINAS CL.

227-228-028-229-230



PARTE DA ASPORTARE
 PART TO BE REMOVED
 PARTIE À ENLEVER
 WEGZUNEHMENDER TEIL
 PARTE PARA QUITAR

MACCHINA CLASSE MACHINE CLASS MACHINE CLASSE MACHINE CLASSE MACHINE CLASSE	Basse della macchina Machine base Soubassement de la machine Grundgestell der Maschine Base de la maquina	Carter laterale Side cover plate Carter lateral Seitliche Schutzplatte Carter lateral	Piano di lavoro Work plate Plan de travail Arbeits fläche Plano de trabajo	Carter para-olio Oil cover plate Carter para-huile Seitl. abschutzhäuser Carter para aceite	Guarniz.protez.griffe Feed dog gasket Guarniture pour griffes Dichtung für transport, Guarnición para ganchos	Guarnizione Gasket Guarnition Dichtung Guarnición
227 con differenziale with differential avec différentiel mit differenzial con diferencial						
227 senza differenziale without differential sans différentiel ohne differenzial sin diferencial						
228 con differenziale with differential avec différentiel mit differenzial con diferencial						
228 senza differenziale without differential sans différentiel ohne differenzial sin diferencial						
028 con differenziale with differential avec différentiel mit differenzial con diferencial						
028 senza differenziale without differential sans différentiel ohne differenzial sin diferencial						
229	<p>Spina da estrarre Pin to take out Pivot a enlever Stift herausziehen Perno para quitar</p>					
230						

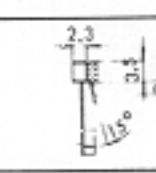
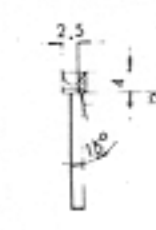
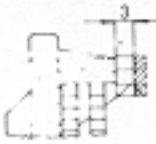
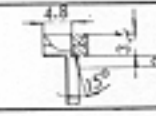
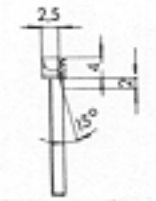
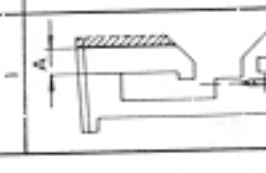
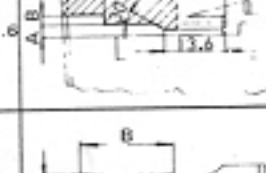
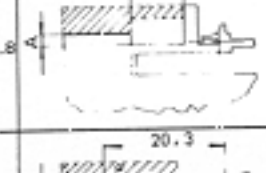
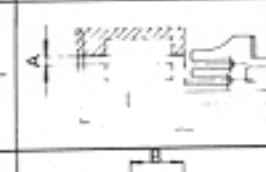
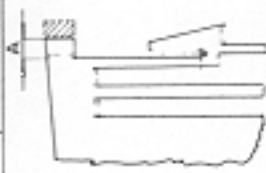
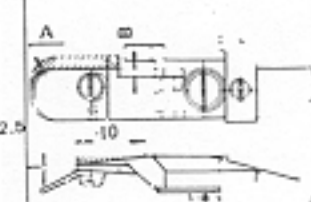
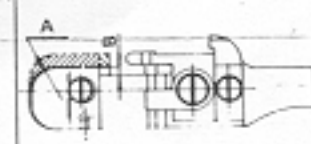
From the library of Diamond Needle Corp

PLACCHE, PIEDINI E GRIFFE DA MODIFICARE PER APPLICARE I DISPOSITIVI 135-80; 136-80; 137-80 SULLE TESTE CL.
 THROAT PLATES, PRESSERFOOT, FEED DOGS TO BE MODIFIED FOR MOUNTING 135-80; 136-80; 137-80 DEVICES ON MACHINE HEADS CL.
 PLAQUES, PIEDS PRESSEURS ET GRIFFES A MODIFIER POUR LE MONTAGE DES DISPOSITIFS 135-80; 136-80; 137-80 SUR TETE CL.
 ABZUÄNDERNDE STICHLATTEN, FUSSCHEN, TRANSPORTER FÜR DIE MONTAGE DER VÖRRICHTUNG 135-80; 136-80; 137-80 AN DIE OBERTEILE KL.
 PLACAS, PRENSATELAS Y GANCHOS PARA MODIFICAR ANTES DE APLICAR LOS APARATOS 135-80; 136-80; 137-80 EN LAS MAQUINAS CL.

227
228-028
229-230

PARTE DA ASPORTARE
PART TO BE REMOVED
PARTIE A ENLEVER
WEGZUNEHMENDER TEIL
PARTE PARA QUITAR

CATEGORIA FOR CLASS PLACA CLASSE KATEGORIE KATEGORIE	N. del pezzo da montare Part to be mounted N. de la pieza a montar N. de la pieza a montar	N. del pezzo da modificare Part to be modified N. de la pieza a modificar N. de la pieza a modificar	A		N. del pezzo da montare Part to be mounted N. de la pieza a montar N. de la pieza a montar	N. del pezzo da modificare Part to be modified N. de la pieza a modificar N. de la pieza a modificar	A B		N. del pezzo da montare Part to be mounted N. de la pieza a montar N. de la pieza a montar	N. del pezzo da modificare Part to be modified N. de la pieza a modificar N. de la pieza a modificar	N. del pezzo da montare Part to be mounted N. de la pieza a montar N. de la pieza a montar	N. del pezzo da modificare Part to be modified N. de la pieza a modificar N. de la pieza a modificar
			A	B			A	B				
227-00-01 028-00-01 228-00-01	202504-0-10 202148-0-10 202507-0-10 202507-0-19 202590-0-10	923774-0-00 923831-0-00 923832-0-00 923833-0-00 923834-0-00			202171-3-10	921352-3-10						
227-00-07 028-00-03 228-00-05	203214-0-10 203217-0-10 203220-0-10	923830-0-00 923850-0-00 923851-0-00										
227-00-11 028-00-08 228-00-08	203398-0-10	923853-0-00			203366-3-10	921437-3-10 921439-3-10			202661-0-10			
227-00-10 028-00-07 228-00-07	203399-0-10	923854-0-00										
227-28-01/02 028-28-01/02 228-28-01/02	202507-0-10	923832-0-00			202774-3-10	921396-3-10						
227-00-09/1A 028-00-06 228-00-06/1E	203349-2-10 203347-2-10 203407-2-10	923858-2-00 923858-2-00 923860-2-00	2.5		203362-3-10	921438-3-10	4 2.5			921350-0-11		
227-00-06 028-00-02 228-00-04	202478-0-10 203475-0-10 203439-0-10 203477-2-10 203482-2-10	923867-0-00 923866-0-00 923865-0-00 923869-2-00 923871-2-00			203447-3-10	921453-3-10 921455-3-10						
227-00-13/1H 028-00-10 228-00-10	203785-0-10 203787-0-10 203751-0-10	923880-0-00 923777-0-00 923888-0-00										
227-00-23 028-00-18	203761-0-10 203787-0-10 203785-0-10 203762-0-10 203768-0-10	923788-0-00 923777-0-00 923890-0-00 923889-0-00 923891-0-00			203015-3-10	921422-3-10						
227-00-19/1D 028-00-16	204006-0-10 204007-0-10 205650-0-10	923881-0-00 923882-0-00 923883-0-00	5		204009-3-10	923885-3-00	4.5			203612-0-10	923902-0-00	
227-00-20 028-00-17	204026-0-10	923886-0-00			204037-3-10	923887-3-00						
227-28-04 028-28-04 228-28-04 227-28-03 028-28-03 228-28-03	202764-0-10 202763-0-10	923776-0-00 923892-0-00			202774-3-10	921393-3-10				202761-0-10	921392-0-10	
227-28-05/06 028-28-05/06 228-28-05/06	202936-0-10 202936-0-10	923894-0-00 923895-0-00			202938-3-10	921395-3-10	4 2.5			202927-0-10 204322-0-10	923893-0-00 923896-0-00	
227-10-02/05 06/07 028-10-02/03 04/05 228-10-01/05 06/07	202783-0-10 202878-0-10 202877-0-10	923843-0-00 923844-0-00 923845-0-00	2.5		202786-3-10	921403-3-10						
227-10-03/04 228-10-02/03	202784-0-10	923846-0-00			202787-3-10	921404-3-10	4 2.5			202061-0-10	921350-0-11	
227-00-05 028-00-04 228-00-02 227-00-22 228-00-02	202707-0-10 202634-0-10 202635-0-10 202709-0-10 202636-0-10	923775-0-00 923835-0-00 923836-0-00 923837-0-00 923838-0-00			202644-3-10 203680-3-10 202642-3-10 202646-3-10	921382-3-10 921467-3-10 921391-3-10 921383-3-10				202609-0-10		
227-00-03/04 028-00-05 228-00-03	202637-0-10 202638-0-10 202708-0-10	923840-0-00 923841-0-00 923842-0-00										
227-00-31 228-00-15	203219-0-10	923852-0-00	1.10.7		203162-3-10	921426-3-10					921350-0-11	
228-28-07 028-28-07 228-28-07	203364-2-10	923862-2-00			203361-3-10	921440-3-10	4 2.5					
227-28-09	202636-0-10	923838-0-00			202543-3-10	923839-3-00						
227-00-30 028-00-25 228-00-13 227-00-33	203014-0-10 203033-0-10 203037-0-10	923847-0-00 923848-0-00 923848-0-00			203038-3-10 203017-3-10	921423-3-10				203004-0-10		
227-00-1T	203552-0-10 203580-0-10	923877-0-00 923878-0-00	1.3		203597-3-10	923880-3-00	4.5			203544-0-10	923876-0-00	
227-28-08	203512-0-10	923873-0-00	2 8.8		203513-3-10	923875-3-00	4 2.5			203502-0-10	923872-0-00	
227-00-12/1E 028-00-09 228-00-09	203437-0-10 203435-0-10 203436-0-10	921451-0-10 923863-0-00 923864-0-00	2.21.6		203447-3-10	921453-3-10						
229-00-01 229-00-02 229-00-03 229-00-04 229-00-05 229-00-07 229-00-06/10	204695-0-10 204805-0-10 204698-0-10 204821-0-10 204822-0-10 204864-0-10 204948-0-10 205026-0-10 205025-0-10	921491-0-10 923897-0-00 921492-0-10 921492-0-10 921494-0-10 921494-0-10 921506-0-00 923899-0-00 923898-0-00	3.415									
230-00-01	205153-0-10	921512-0-10	4.2									

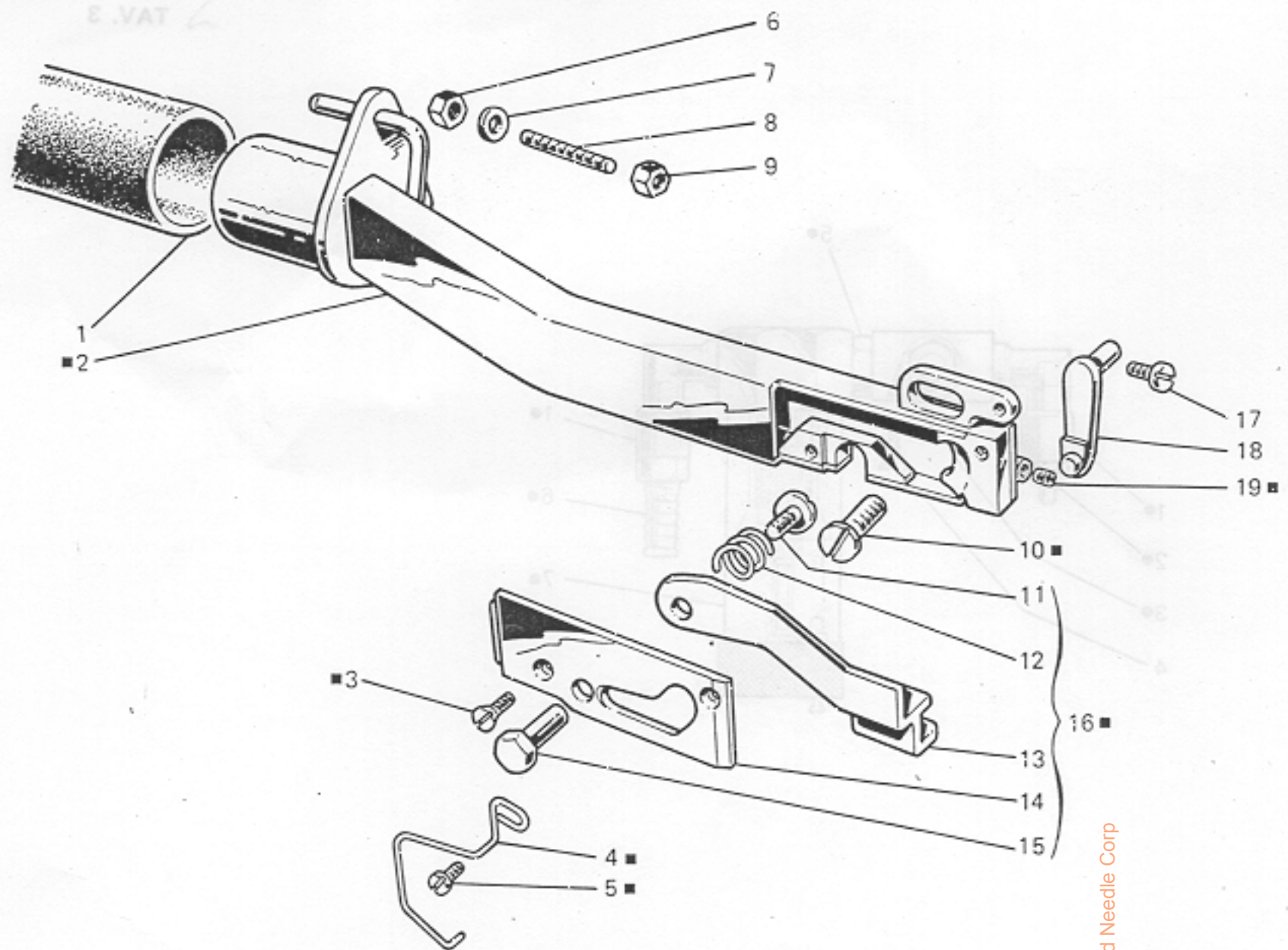


N.B. Per queste macchine richiedere il griffino 921350-0-11
 " Feed dog N. 921350-0-11 must be requested for these machines
 " Pour ces machines demander la griffe N. 921350-0-11
 " Für diese Maschinen ist der Transporter N. 921350-0-11 zu bestellen
 " Por lo que concierne estas maquinas pedir el ganchin N. 921350-0-11

NB. I PEZZI CONTRASSEGNA TI CON ● DOVRANNO ESSERE ORDINATI.
 • PARTS MARKED WITH ● MUST BE REQUESTED.
 • LES PIÉCES MARQUÉES PAR ● DEVRONT ÊTRE COMMANDÉES.
 • DIE MIT ● BEZEICHNETEN TEILE MÜSSEN BESTELLT WERDEN.
 • LAS PIEZAS CONTRASEÑADA CON ● TENDRAN QUE SER PEDIDOS.

From the library of: Diamond Needle Corp

22

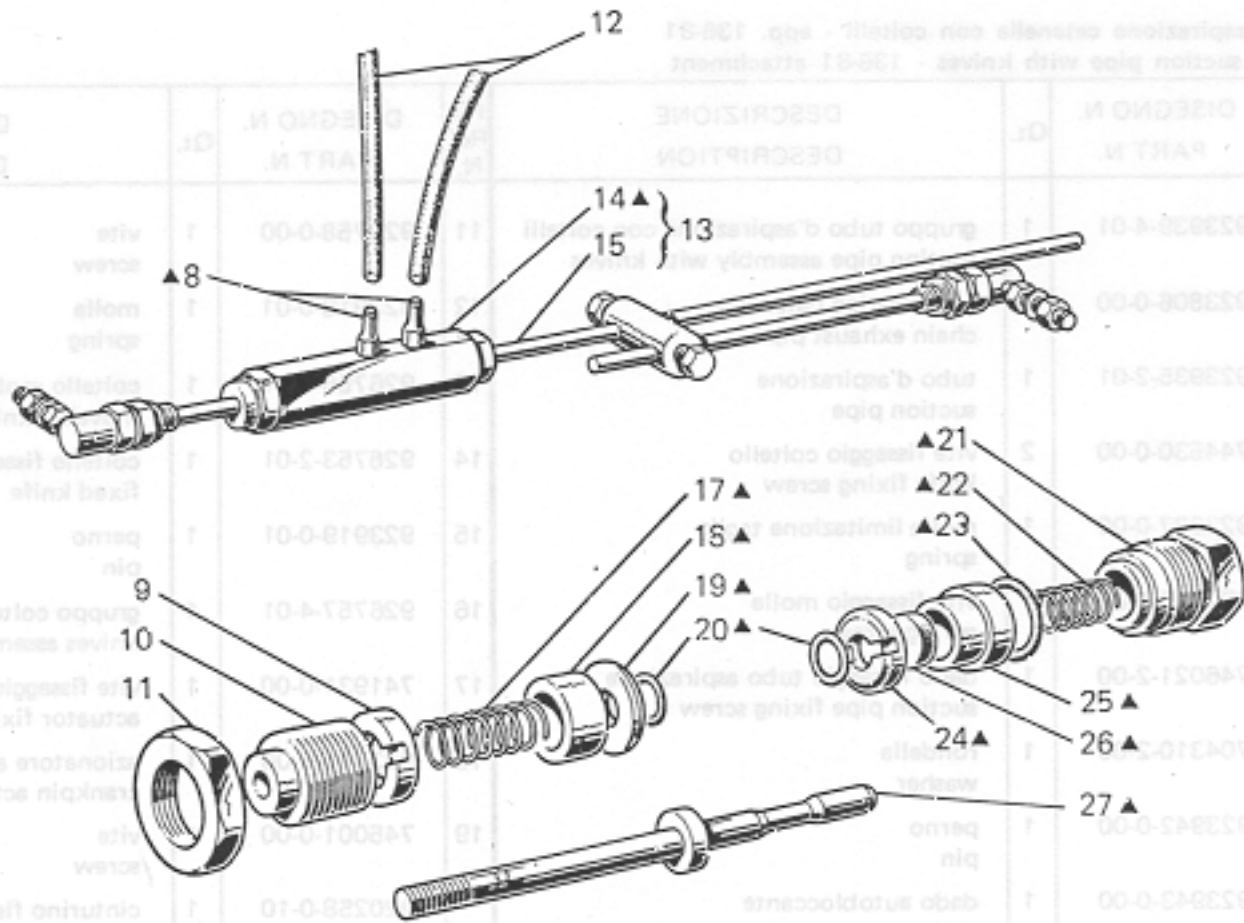
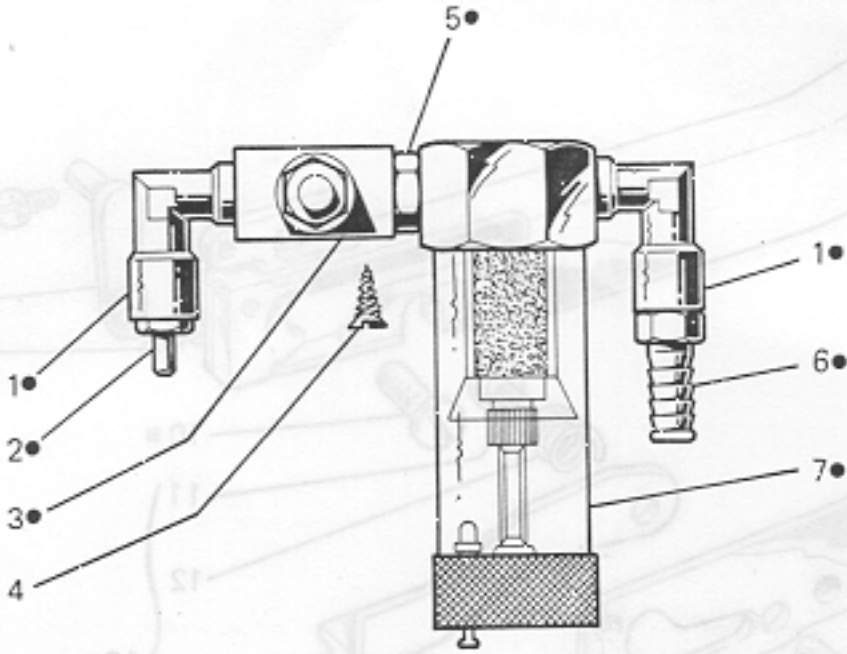


Tubo aspirazione catenella con coltelli - app. 136-81
Chain suction pipe with knives - 136-81 attachment

TAV. 2

Rif. Ref. N.	DISEGNO N. PART N.	Qt.	DESCRIZIONE DESCRIPTION	Rif. Ref. N.	DISEGNO N. PART N.	Qt.	DESCRIZIONE DESCRIPTION
■	923939-4-01	1	gruppo tubo d'aspirazione con coltelli suction pipe assembly with knives	11	923758-0-00	1	vite screw
1	923806-0-00	1	tubo scarico catenella chain exhaust pipe	12	923918-0-01	1	molla spring
2	923935-2-01	1	tubo d'aspirazione suction pipe	13	926756-2-01	1	coltello mobile movable knife
3	744530-0-00	2	vite fissaggio coltello knife fixing screw	14	926753-2-01	1	coltello fisso fixed knife
4	923937-0-00	1	molla limitazione taglio spring	15	923919-0-01	1	perno pin
5	721410-0-00	1	vite fissaggio molla spring screw	16	926757-4-01	1	gruppo coltelli knives assembly
6	746021-2-00	1	dado fissaggio tubo aspirazione suction pipe fixing screw	17	741931-0-00	1	vite fissaggio azionatore actuator fixing screw
7	704310-2-00	1	rondella washer	18	923941-0-00	1	azionatore a bottone di manovella crankpin actuator
8	923942-0-00	1	perno pin	19	745001-0-00	1	vite screw
9	923943-0-00	1	dado autobloccante nut		920258-0-10	1	cinturino fissaggio tubetti pipe fixing strap
10	741974-2-00	1	vite fiss. tubo d'aspirazione suction pipe fixing screw				

From the library of: Diamond Needle Corp



TAV. 3

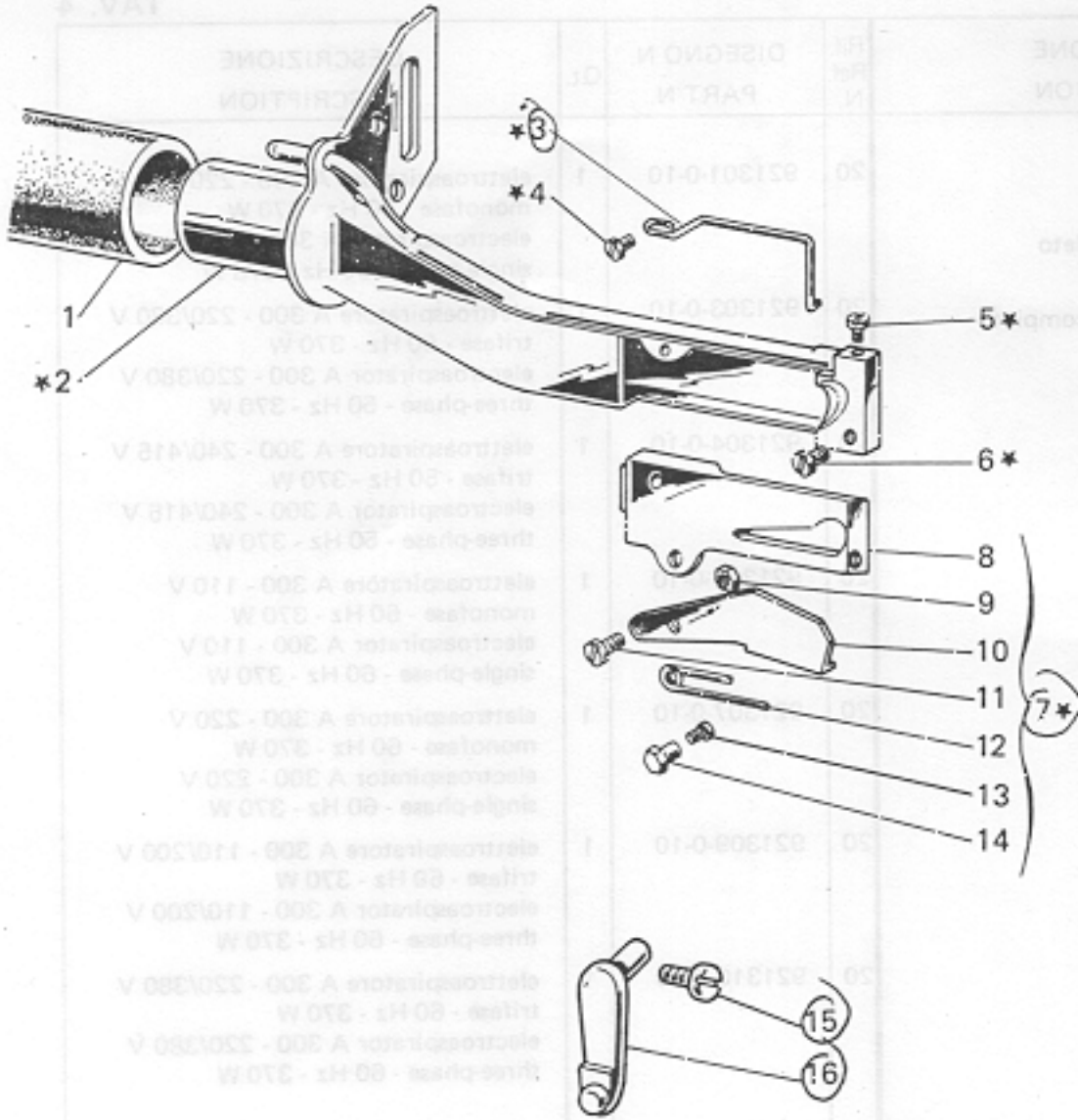
DESCRIZIONE	Q.T.	DESCRIZIONE	Q.T.	DESCRIZIONE	Q.T.
1	1	2	1	3	1
4	1	5	1	6	1
7	1	8	1	9	1
10	1	11	1	12	1
13	1	14	1	15	1
16	1	17	1	18	1
19	1	20	1	21	1
22	1	23	1	24	1
25	1	26	1	27	1

Rif. Ref. N.	DISEGNO N. PART N.	Qt.	DESCRIZIONE DESCRIPTION	Rif. Ref. N.	DISEGNO N. PART N.	Qt.	DESCRIZIONE DESCRIPTION
●	923805-4-01	1	gruppo dosatore dosimeter assembly				
1	923803-0-00	2	raccordo union				
2	924870-0-10	1	attacco per tubetto connection				
3	923800-0-00	1	dosatore di mandata delivery dosimeter				
4	731105-0-00	4	vite fissaggio dosatore dosimeter fixing screw				
5	923802-0-00	1	raccordo nipple				
6	923804-0-00	1	attacco per tubo connection				
7	923801-0-00	1	filtro aria air filter				
8	924797-0-10	2	attacco per tubetto connection				
9	924800-0-10	1	ghiera nut				
10	924790-0-10	1	tappo plug				
11	924796-0-10	1	dado nut				
12	924886-0-10	2	tubetto pipe				
13	923815-5-00	1	valvola completa di tirante vaive with tie-rod assembly				
14	923816-4-00	1	valvola completa valve assembly				
15	923812-0-00	1	tirante completo di snodi tie-rod with knuckles				
16	900941-0-00	1	snodo superiore upper knuckles				
17	203909-0-10	1	molla spring				
18	923825-0-00	1	distanziale spacer				
19	923822-0-00	1	rondella washer				
20	923828-4-00	2	anello di tenuta retainer ring				
21	923824-0-00	1	tappo plug				
22	923826-0-00	1	molla spring				
23	701017-0-00	1	anello di tenuta retainer ring				
24	923823-0-00	1	rondella washer				
25	923820-0-00	1	distanziale spacer				
26	923821-0-00	1	pastiglia plug				
27	923818-0-00	1	pistone piston				
28	900942-0-00	1	snodo inferiore lower knuckle				

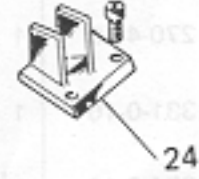
From the library of: Diamond Needle Corp

Rif. Ref. N.	DISEGNO N. PART N.	Qt.	DESCRIZIONE DESCRIPTION	Rif. Ref. N.	DISEGNO N. PART N.	Qt.	DESCRIZIONE DESCRIPTION
	921271-4-10	1	filtro completo filter assembly	20	921301-0-10	1	elettroaspiratore A 300 - 220 V monofase - 50 Hz - 370 W electroaspirator A 300 - 220 V single-phase - 50 Hz - 370 W
▲	921285-4-10	1	fascia sost. filtro completo filter support assembly				
★	921270-4-10	1	bocchettone inferiore completo lower union assembly	20	921303-0-10	1	elettroaspiratore A 300 - 220/380 V trifase - 50 Hz - 370 W electroaspirator A 300 - 220/380 V three-phase - 50 Hz - 370 W
1	921331-0-10	1	bullone bolt				
2	921274-2-10	1	leva lever	20	921304-0-10	1	elettroaspiratore A 300 - 240/415 V trifase - 50 Hz - 370 W electroaspirator A 300 - 240/415 V three-phase - 50 Hz - 370 W
3	921291-0-10	1	boccola bush				
4	921269-2-10	1	bocchettone inferiore lower union	20	921306-0-10	1	elettroaspiratore A 300 - 110 V monofase - 60 Hz - 370 W electroaspirator A 300 - 110 V single-phase - 60 Hz - 370 W
5	921292-0-10	1	ghiera nut	20	921307-0-10	1	elettroaspiratore A 300 - 220 V monofase - 60 Hz - 370 W electroaspirator A 300 - 220 V single-phase - 60 Hz - 370 W
6	921290-0-10	1	molla spring				
7	704314-0-00	1	rondella washer	20	921309-0-10	1	elettroaspiratore A 300 - 110/200 V trifase - 60 Hz - 370 W electroaspirator A 300 - 110/200 V three-phase - 60 Hz - 370 W
8	921289-0-10	1	astina di comando control pin				
9	741682-0-00	1	vite screw	20	921310-0-10	1	elettroaspiratore A 300 - 220/380 V trifase - 60 Hz - 370 W electroaspirator A 300 - 220/380 V three-phase - 60 Hz - 370 W
10	921282-0-10	1	bocchettone superiore upper union				
11	921279-2-10	1	filtro filter				
12	921281-0-10	1	contenitore filtro filter box				
13	921330-0-10	1	bullone bolt				
14	921284-2-10	1	fascia di sostegno support band				
15	921288-0-10	1	attacco bracket				
16	731066-0-00	2	vite screw				
17	704011-0-00	1	rondella washer				
18	921294-0-10	1	tubo collegam. filtro-elettroaspiratore connecting pipe (filter-electroaspirator)				
19	921298-0-10	1	bocchettone a 1 via 1-way pipe union				
20	921300-0-10	1	elettroaspiratore A-300 - 125V monofase - 50 Hz - 370 W electroaspirator A-300 - 125V single-phase - 50 Hz - 370 W				
			Solo a richiesta Only on request				
A	921313-4-10	1	bocchettone a 4 vie 4-way pipe union				
B	921312-0-10	3	tappo plug				
C	921327-0-10	1	bocchettone pipe union				
18	921295-0-10	1	tubo collegam. per 2 macchine connecting pipe for 2 machines				
18	921296-0-10	1	tubo collegam. per 3 macchine connecting pipe for 3 machines				
18	921297-0-10	1	tubo collegam. per 4 macchine connecting pipe for 4 machines				

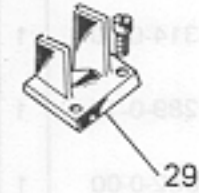
From the library of: Diamond Needle Co.



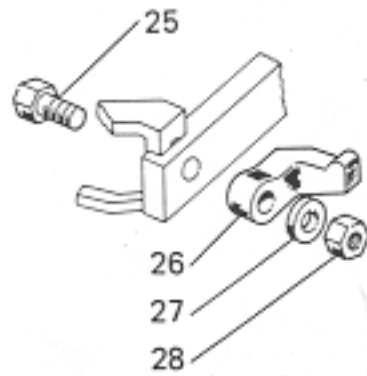
Per teste senza differenziale
For heads without differential feed



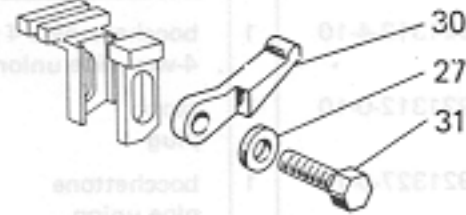
Per teste con differenziale
For heads with differential feed



Per teste senza differenziale e con perno porta coltello non forato
For heads without differential feed, with knife holder pin without hole



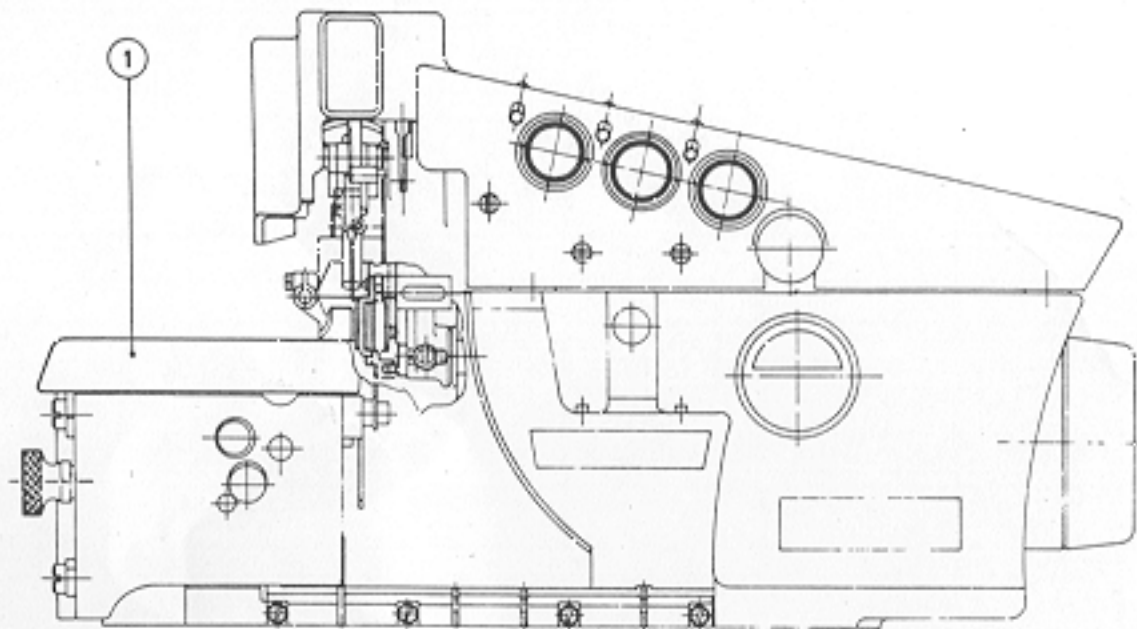
Per teste con differenziale e con perno porta coltello non forato
For heads with differential feed and with knife holder pin without hole



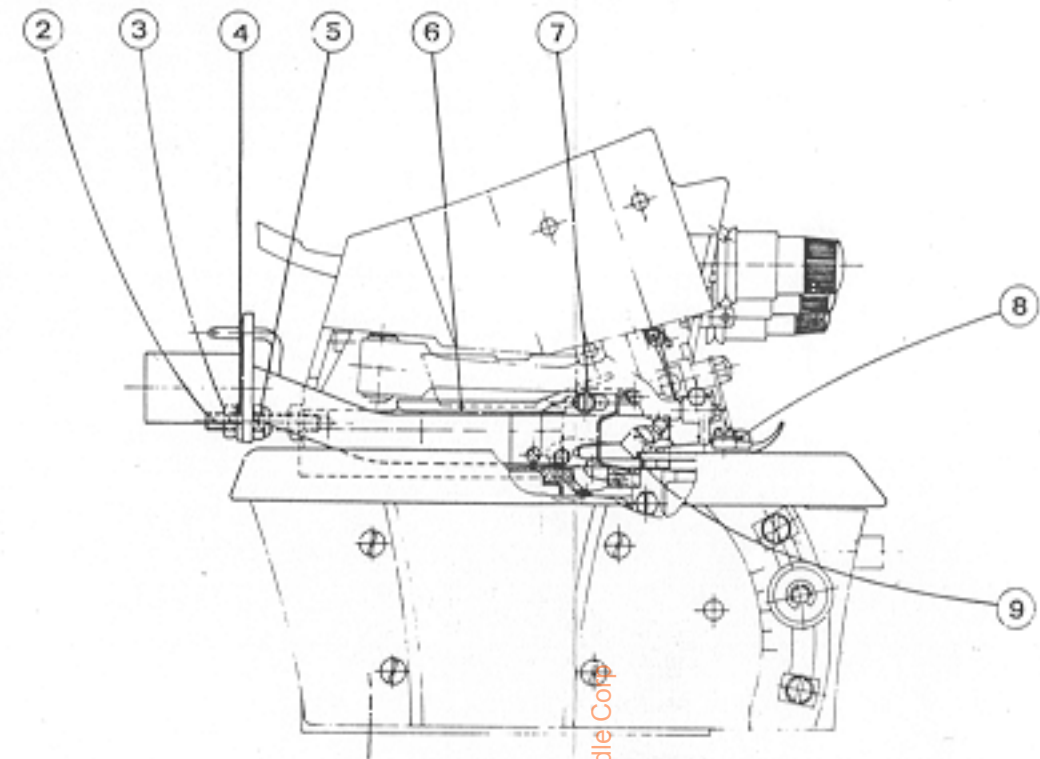
From the library of: Diamond Needle Corp

Rif. Ref. N.	DISEGNO N. PART N.	Qt.	DESCRIZIONE DESCRIPTION	Rif. Ref. N.	DISEGNO N. PART N.	Qt.	DESCRIZIONE DESCRIPTION
★	923768-4-02	1	gruppo tubo aspiraz. con coltelli (135-80; 137-80) suction pipe assembly with knives (135-80; 137-80)	22	704316-2-00	2	rondella washer
	923769-4-01	1	gruppo tubo aspiraz. con coltelli (136-80) suction pipe assembly with knives (136-80)	23	921329-0-10	1	bullone fiss. carter laterale (escluso 228-00-18) side cover fixing bolt (228-00-18 excluded)
●	921263-4-10	1	squadra d'attacco completa bracket assembly	24	921400-0-10	1	squadretta guida slitta porta griffa bracket
	921333-4-10	1	squadra d'attacco per testa 228-00-18 bracket for head 228-00-18	25	740285-0-00	1	vite fiss. azionat. e griffa screw for actuator and feed dog
1	923806-0-00	1	tubo scarico catenella (135-80; 136-80) chain exhaust pipe (135-80; 136-80)	26	923771-0-00	1	azionatore a leva actuator
	921293-0-10	1	tubo scarico catenella (137-80) chain exhaust pipe (137-80)	27	704213-0-00	1	rondella washer
2	923766-2-01	1	tubo di aspirazione (135-80; 137-80) suction pipe (135-80; 137-80)	28	746014-0-00	1	dado nut
	923767-2-01	1	tubo di aspirazione (136-80) suction pipe (136-80)	29	921369-0-10	1	squadretta guida slitta porta griffa slide bracket
3	923829-0-00	1	molla spring	30	923772-0-00	1	azionatore a leva actuator
4	723242-4-00	1	vite screw	31	921370-0-10	1	vite fiss. azionatore e griffe screw for actuator and feed dogs
5	923794-0-00	1	vite screw				
6	744530-0-00	1	vite screw				
7	926752-4-00	1	gruppo coltelli knives assembly				
8	926750-2-00	1	coltello fisso fixed knife				
9	733502-0-00	3	dado nut				
10	926751-2-00	1	coltello mobile movable knife				
11	741428-0-00	1	vite di fermo screw				
12	923754-0-00	1	molla spring				
13	923756-0-01	1	vite screw				
14	923755-0-00	1	perno pin				
15	741931-0-00	1	vite fiss. azionatore actuator fixing screw				
16	923770-0-00	1	azionatore a bottone di manovella crankpin actuator				
	923792-0-00	1	azionatore a bottone di manovella (135-80) per teste 028-00-05; 228-00-03 crankpin actuator (135-80) for heads 028-00-05; 228-00-03				
17	721486-2-00	2	vite screw				
18	704226-2-00	2	rondella washer				
19	921226-0-10	2	vite screw				
20	921262-0-10	1	squadra d'attacco bracket				
	921332-0-10	1	squadra d'attacco per testa 228-00-18 bracket for head 228-00-18				
21	704202-0-00	2	rondella washer				

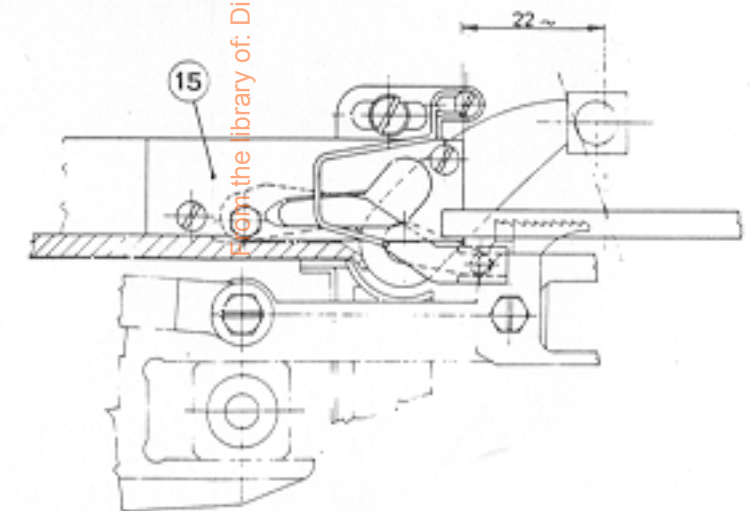
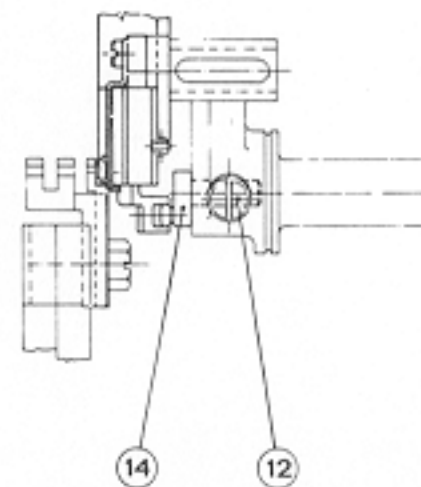
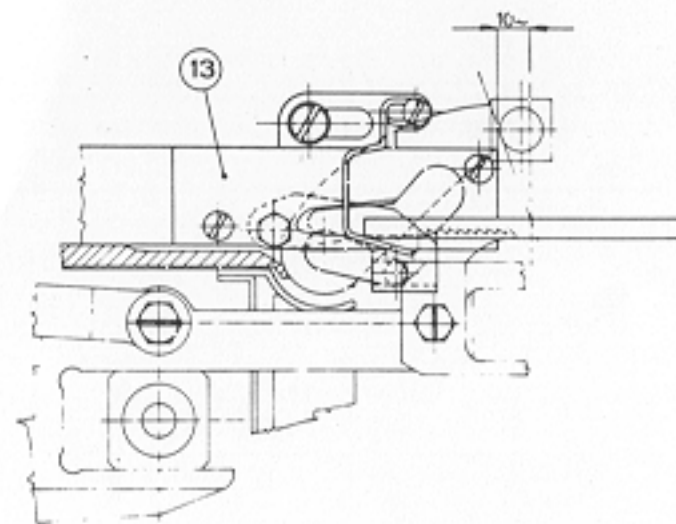
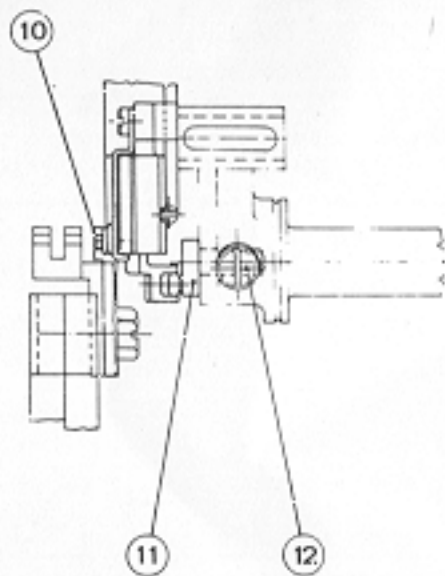
RAPPRESENTAZIONE MONTAGGIO APP. 135-81 - 136-81 - 137-81
 LAYOUT FOR MOUNTING THE 135-81 - 136-81 AND 137-81 ATTACHMENTS



DETTAGLIO APP. 135-81 - 137-81
 DETAIL FOR 135-81 - 137-81 ATTACHMENTS



DETTAGLIO APP. 136-81
 DETAIL FOR 136-81 ATTACHMENT



1)	Piano di lavoro	Working plate
2)	Perno filettato	Threaded pin
3)	Dado	Nut
4)	Rondella	Washer
5)	Dado	Nut
6)	Carterino di protezione	Protection cover
7)	Vite	Screw
8)	Piedino	Presserfoot
9)	Placca ago	Needle plate
10)	(135-81; 137-81) Griffa	Feed dog
11)	(135-81; 137-81) Azionatore	Crank-pin actuator
12)	Vite	Screw
13)	(135-81; 137-81) Tubo aspirazione catenella	Chain suction pipe
14)	(136-81) Azionatore	Crank-pin actuator
15)	(136-81) Tubo aspirazione catenella	Chain suction pipe